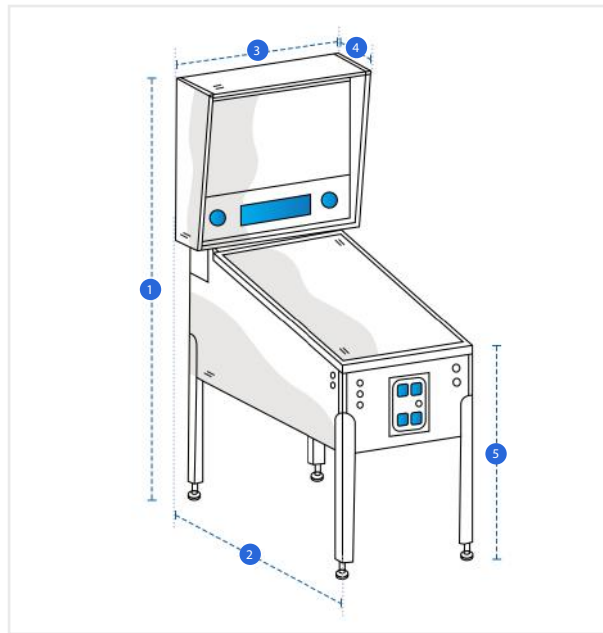


# How to Measure Pinball Game Cover

## Measurement Instruction

- ✓ Give exact measurement from edge to edge.
- ✓ We add 1" to 2" leeway on the given width/depth for easy pull-in and pull-out.
- ✓ The height dimensions will remain same as provided by you.



### Measurement (Inches)

1. Back Height

3. Total Width

5. Front Height

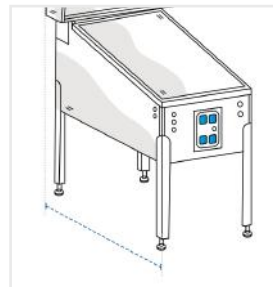
2. Depth

4. Top Depth

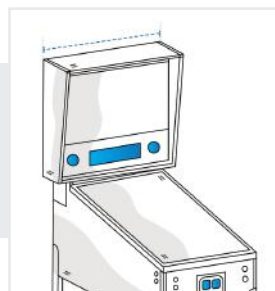
**1. Back Height:**  
Back Height of the Pinball Game



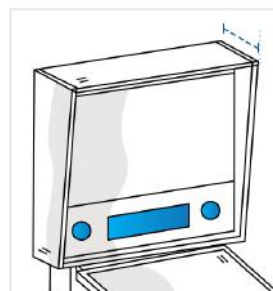
**2. Depth:**  
Depth of the Pinball Game



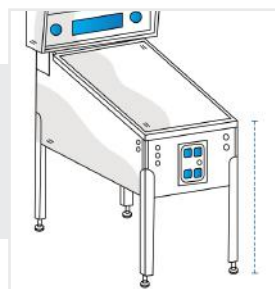
**3. Total Width:**  
Total Width of the Pinball Game



**4. Top Depth:**  
Top Depth of the Pinball Game



**5. Front Height:**  
Front Height of the Pinball Game



We encourage you to upload the image of the article you need the cover for - this helps our team ensure covers are designed keeping your requirements in mind.