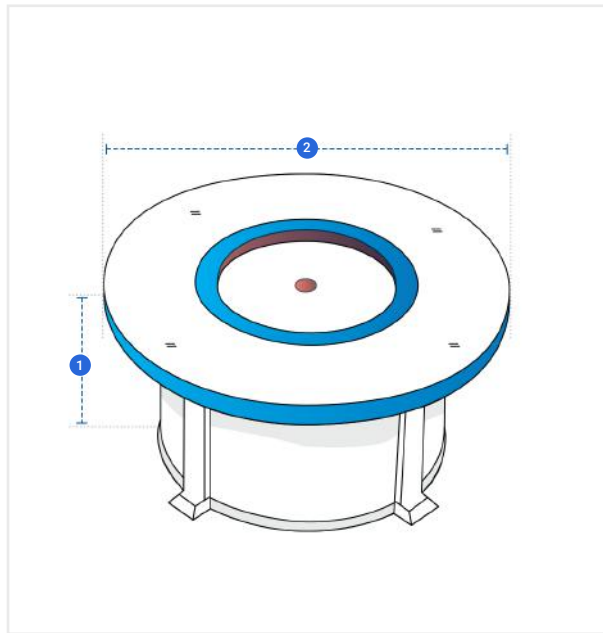


## How to Measure Round Fire Pit Covers - Design 4

### Measurement Instruction

- ✓ Give exact measurement from edge to edge.
- ✓ We add 1" to 2" leeway on the given width/depth for easy pull-in and pull-out.
- ✓ The height dimensions will remain same as provided by you.



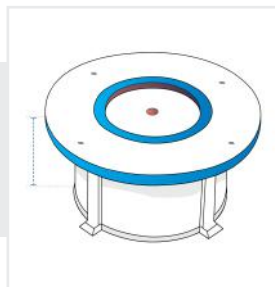
### Measurement (Inches)

1. Height

2. Diameter

#### 1. Height:

Height of the Fire pit



#### 2. Diameter:

Diameter of the Fire pit

